

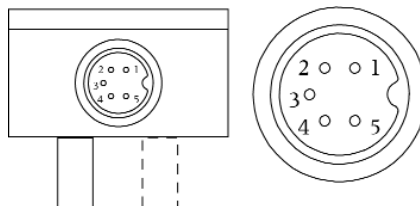


## VHE\* and VHD\* Halleffect Pulse Amplifier

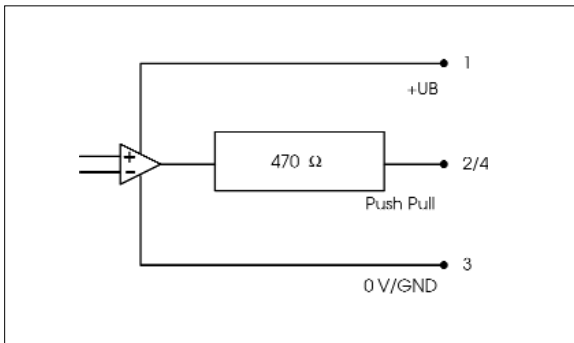


### Technical Data

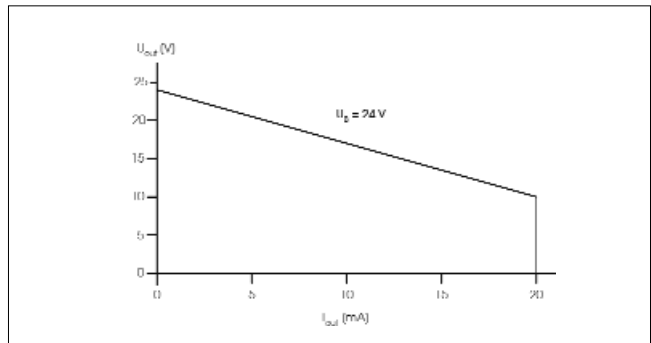
	VHE single pickup	VHD dual pickup
Supply voltage:	12 to 24 VDC, max. 10 mA	12 to 30 VDC, max. 10 mA
Frequency range:	1 to 3,000 Hz	1 to 3,000 Hz
Output: (also see p. 2)	square wave pulses	square wave pulses double measuring frequency and reverse flow detection
Output impedance:	approx. 470 $\Omega$	approx. 470 $\Omega$
Temperature range:	0 up to +70°C	0 up to +70°C
Electrical connection:	5-pin plug 1 = supply voltage 2 = output signal 3 = 0V/GND 4 = nc 5 = nc	5-pin plug 1 = supply voltage 2 = output signal 1: fx2 3 = 0V/GND 4 = output signal 2: reverse flow 5 = nc



Electrical Output



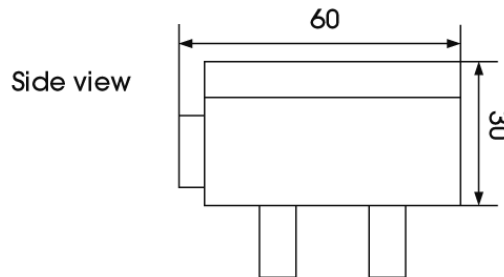
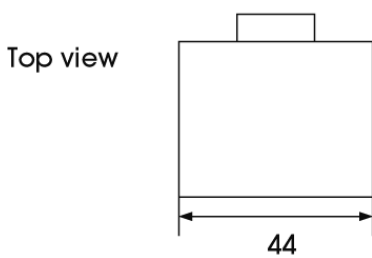
PIN 2 = VHD: f x 2, VHE: single frequency  
 PIN 4 = VHD: reverse flow, VHE: n.c.



$$U_{out} = (U_B - 0.5 V) - (I_{out} \times 470 \Omega)$$

$$I_{out} = (U_B - 0.5 V) : (470 \Omega + R_{load})$$

Dimensional Drawing (mm)



Ordering Information

